

# Lift and slide system JTSM06 and JTSM07 product instruction manual

## Index

1,Product characteristics/scope of application/Size range.....	Page 1
2,Fittings layout.....	Page 2
3,Parts list.....	Page 3,4
4,Important explanation.....	Page 5
5,Product Configuration Type.....	Page 6
6,Fitting detail(l).....	Page 7,8

### 1.1 Product Characteristics:

Smooth ascension

Easy to open

Automatic cleaning roller

Bearing high

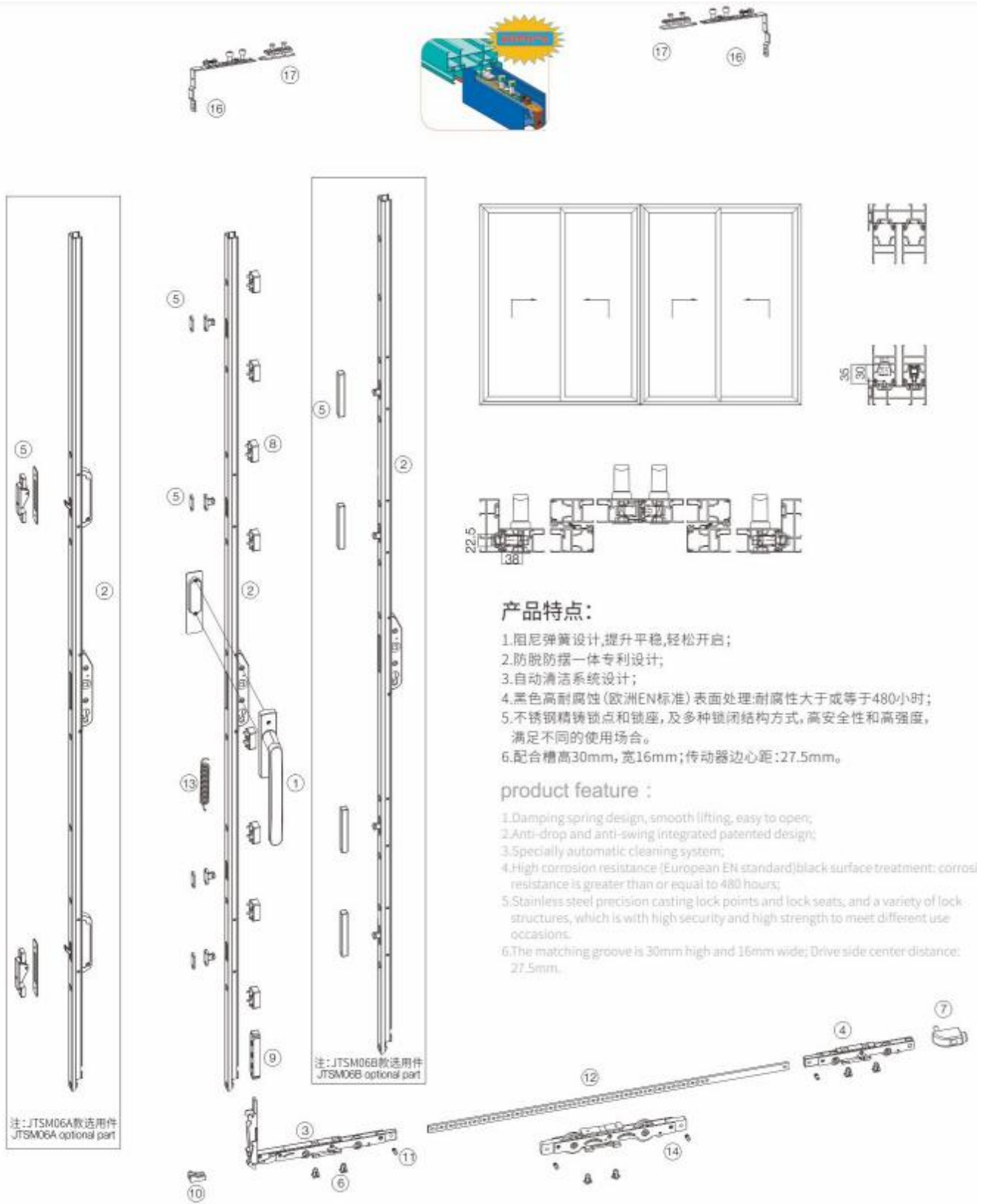
### 1.2 Scope of application

Products are suitable for balcony doors, sunshine doors, partition doors and so on.

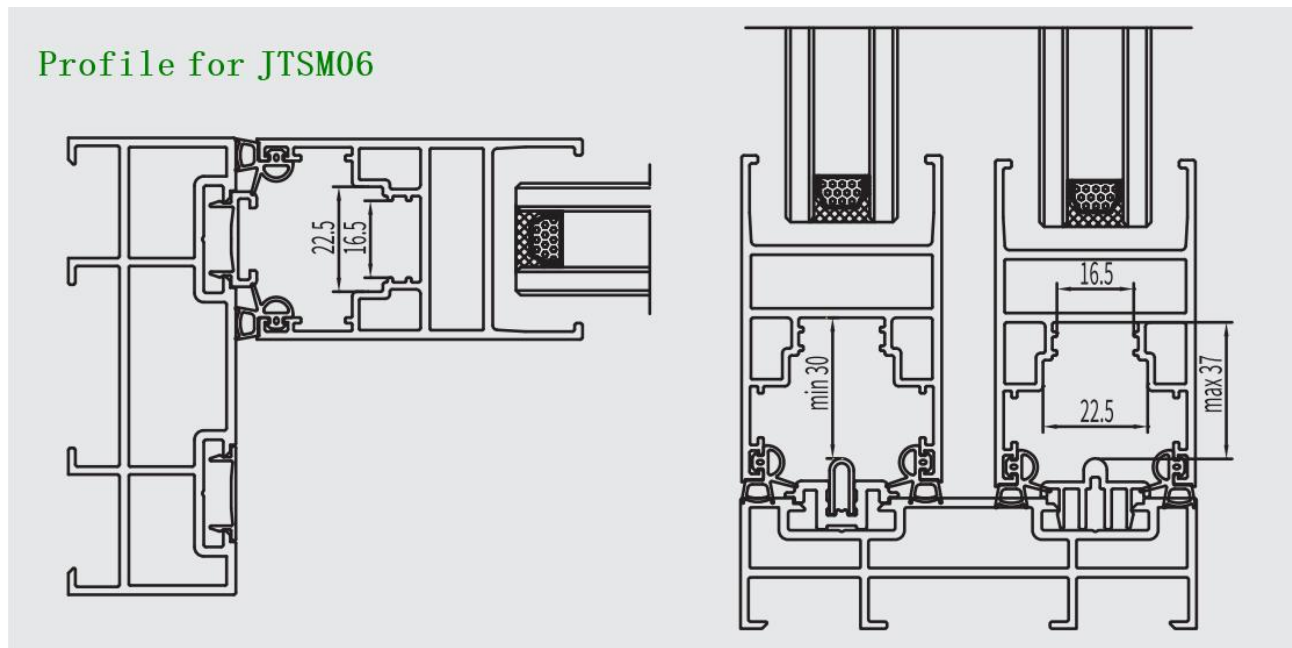
### 1.3 Size range

items	JTSM06	JTSM07
Sash weight	200--250kgs	300--500kgs
sash hight max	3300mm	3300mm
sash width	550--3300mm	550--3300mm
frame hight max	depend on profile system	depend on profile system
frame width	6600mm	6600mm
Backset(gear)	27.5mm	37.5mm
Cross section H x W	30x16mm	42*22mm

## 2.Fittings layout

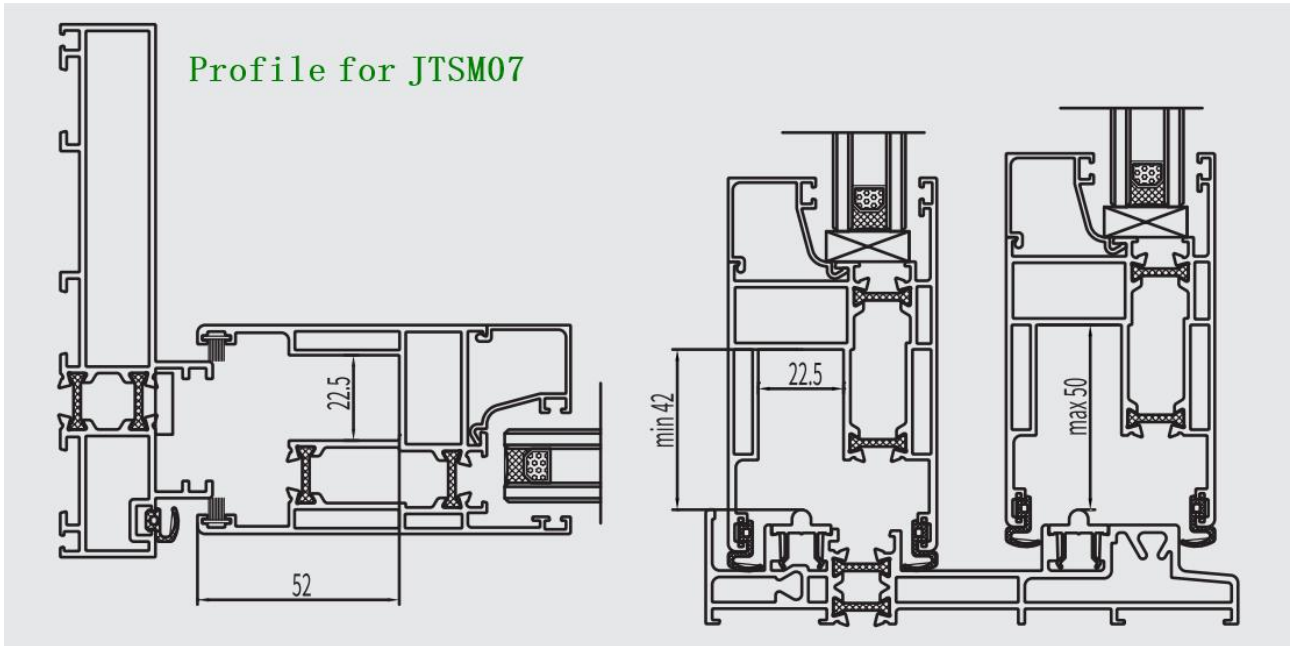


### 3,Parts list



#### 3.1 JTSM06 System accessories List for one sash

no.	name	JTSM06	USAGE	Remark
1	Handle	JCZM21	1	Optional
2	drive device/Gear	JTSM06-01	1	for JTSM06 system only
		JTSM06A-01		for JTSM06A system only
		JTSM06B-01		for JTSM06B system only
3	front pulley	JTSM06-02	1	
4	rear pulley	JTSM06-03		
5	striker	JTSM06-04	2	for JTSM06 system only
		JTSM06A-04		for JTSM06A system only
		JTSM06B-04		for JTSM06B system only
6	roller supporting block	JTSM06-05	4	
7	bumper	JTSM06-06	1	
8	supporting bracket short	JTSM06-07	8	
9	supporting bracket longer	JTSM06-08	1	
10	front pulley stopper	JTSM06-09		
11	axis	JTSM06-10	2	
12	connecting bar	JTSM06-11	1	Length can be customized
13	return spring	JTSM06-12		Optional
14	middle roller	JTSM06-13		Optional
15	cylinder	JSX**Y-**T		Optional
16	the balance wheel	JTM10		Optional
17	Anti-shedding device	JFZ15		Optional

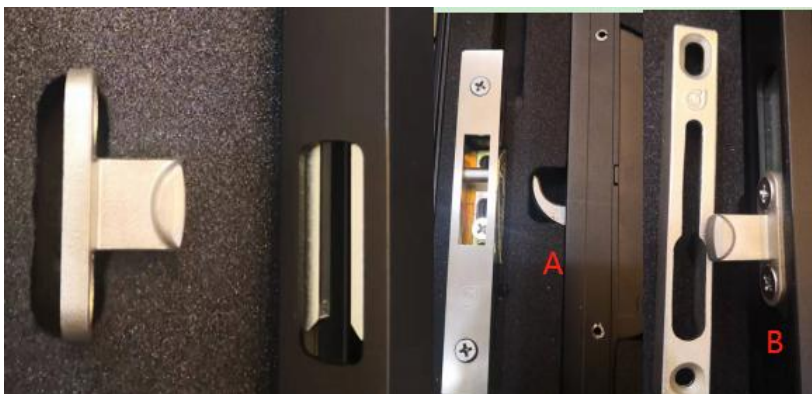
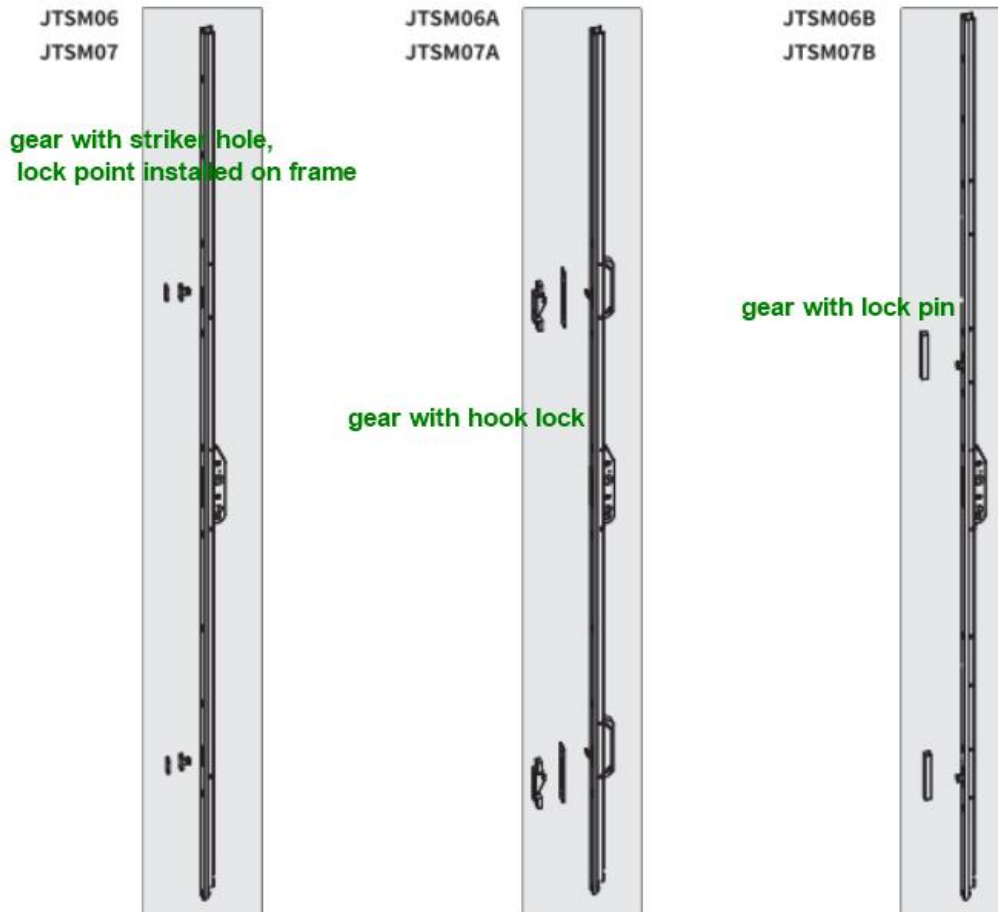


### 3.2 JTSM07 System accessories List for one sash

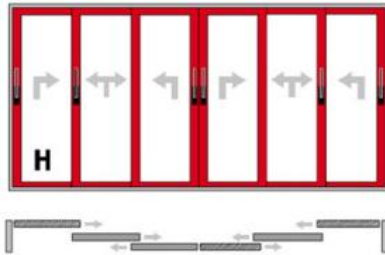
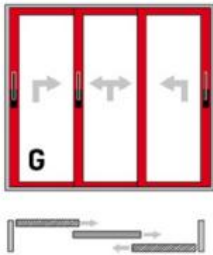
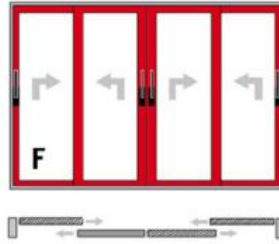
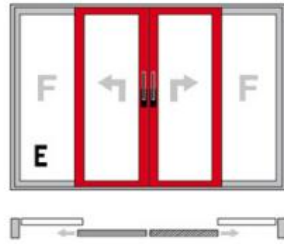
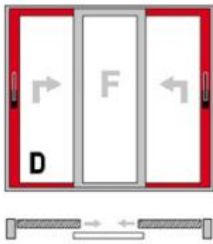
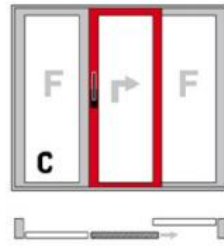
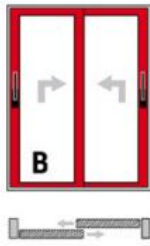
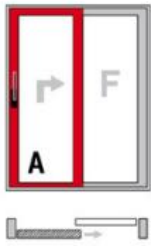
no.	name	JTSM07	USAGE	
1	Handle	JCZM21	1	Optional
2	drive device/Gear	JTSM07-01	1	for JTSM07 system only
		JTSM07A-01		for JTSM07A system only
		JTSM07B-01		for JTSM07B system only
3	front pulley	JTSM07-02	1	
4	rear pulley	JTSM07-03	1	
5	striker	JTSM06-04	2	for JTSM07 system only
		JTSM06A-04		for JTSM07A system only
		JTSM06B-04		for JTSM07B system only
6	roller supporting block	JTSM07-05	4	
7	bumper	JTSM06-06	1	
8	supporting bracket short	JTSM06-07	8	
9	supporting bracket longer	JTSM06-08	1	
10	front pulley stopper	JTSM06-09	1	
11	axis	JTSM06-10	2	
12	connecting bar	JTSM06-11	1	Length can be customized
13	return spring	JTSM06-12		Optional
14	middle roller	JTSM07-06		Optional
15	cylinder	JSX**Y-**T		Optional
16	the balance wheel	JTM10		Optional
17	Anti-shedding device	JFZ15		Optional

#### 4.Important explanation

- 1, Item no.2--13 include in the system price, handle and other items are not include, price are quoted separately.
- 2, When sash width over 2000mm or sash weight more than 200kgs, it is recommended to add a middle roller JTSM06-13 (JTSM07-06)
- 3,If doors and Windows have fixed fans, add support blocks JTSM06-03-01(JTSM07-03-01)
- 4,We have different gear for option, gear height= sash height-100mm:



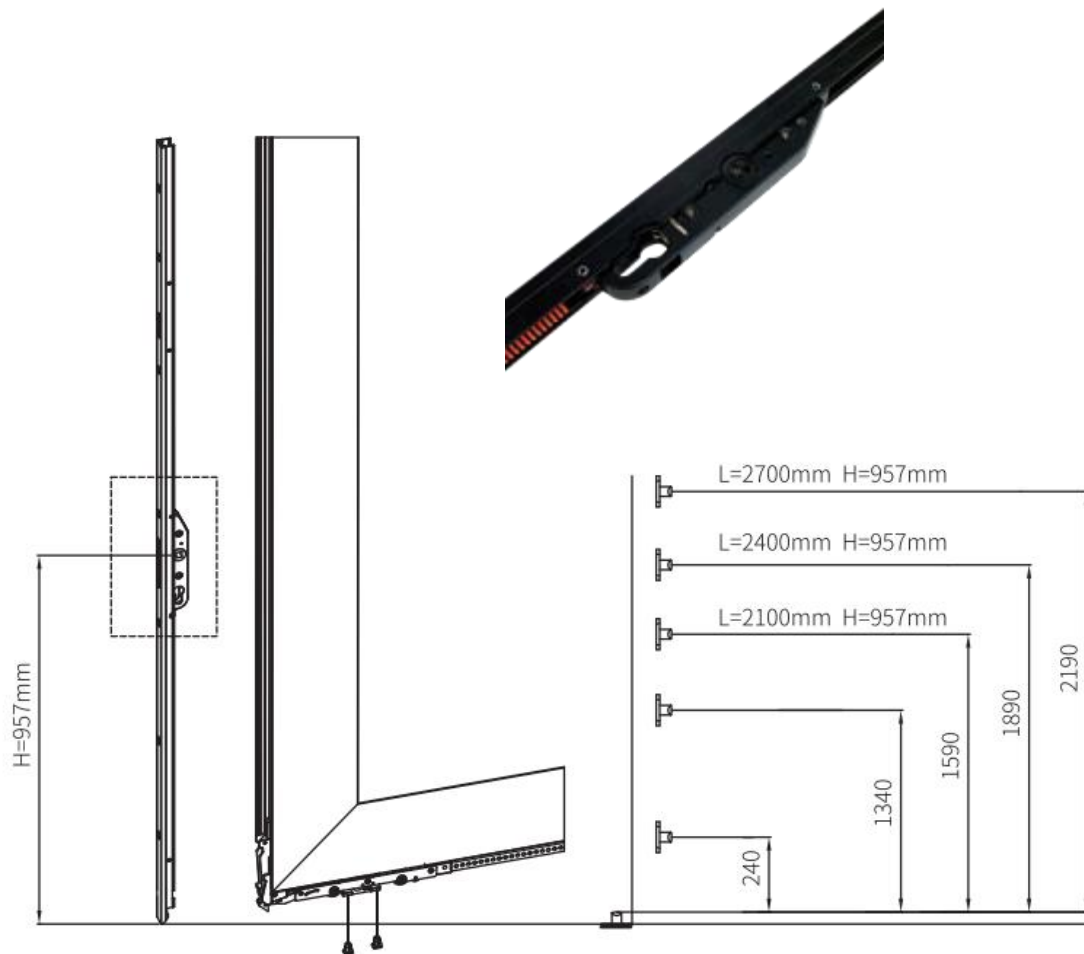
## 5.Product Configuration Type



no	name	A	B	C	D	E	F	G	H
1	Handle	1	2	1	2	2	4	3	6
2	drive device/Gear	1	2	1	2	2	4	3	6
3	front pulley	1	2	1	2	2	4	3	6
4	rear pulley	1	2	1	2	2	4	3	6
5	striker	2	4	2	4	4	8	6	12
6	roller supporting block	4	8	4	8	8	16	12	24
7	bumper	1	2	1	2	2	4	3	6
8	supporting bracket short	8	16	8	16	16	32	24	48
9	supporting bracket longer	1	2	1	2	2	4	3	6
10	front pulley stopper	1	2	1	2	2	4	3	6
11	axis	2	4	2	4	4	8	6	12
12	connecting bar	1	2	1	2	2	4	3	6
13	return spring	optional. within pack							
14	middle roller	optional							
15	screw pack	1	2	1	1	1	4	3	6

## 6. Fittings detail

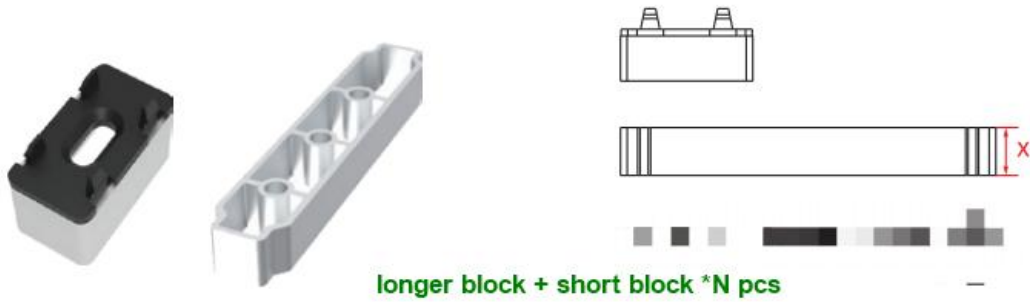
### 6.1 Height of lock point



### 6.2 strikers. Height 20.5mm, with 1mm, 2mm, 3mm washers

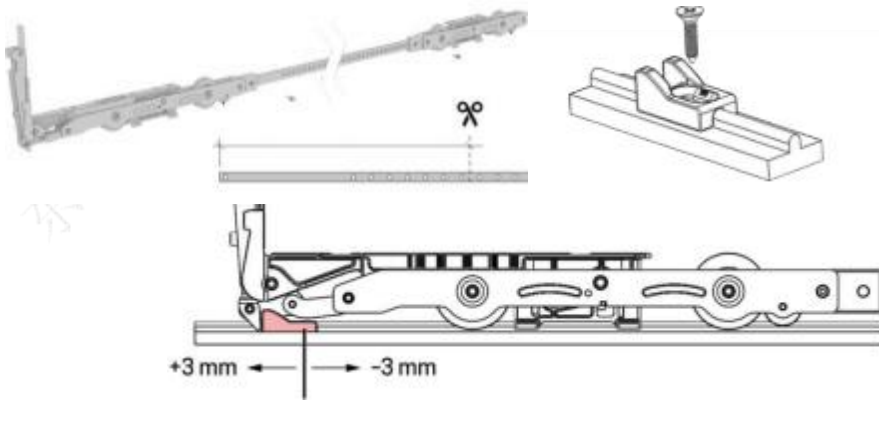


6.3, supporting bracket short and longer.



for JTSM06(X=mm)	4	5	6	7	8	9	10	12	14	16	17	17.5	19	20	23
for JTSM07(X=mm)	12	14	15	15.5	17	18	21	Other sizes as customized							

6.4, front pulley stopper



6.5, connecting bar

The connection bar is perforated to accommodate a variety of door/sash widths.

